

GREEN DISTRICT PHASES 3 & 4
GREEN DISTRICT BOULEVARD

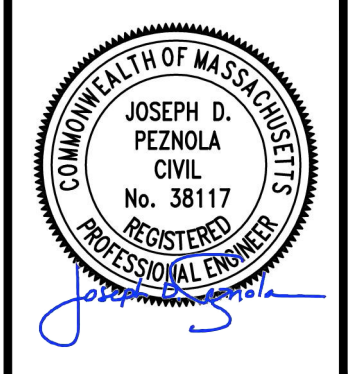
Green District Boulevard
Marlborough, Massachusetts 01752

MARLBOROUGH ASSESSORS:

MAP	LOT
116	11 & 13

PREPARED FOR:
POST ROAD REALTY LLC
11 Unquowa Road
Fairfield, Connecticut 06824

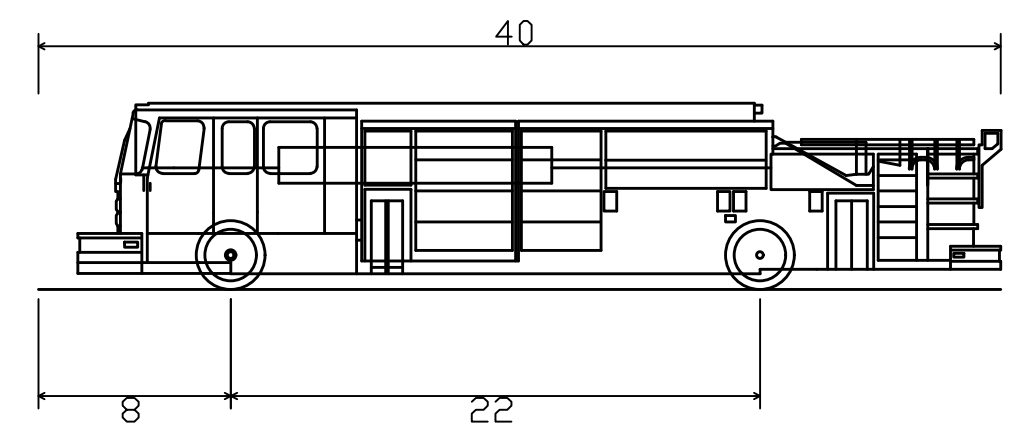
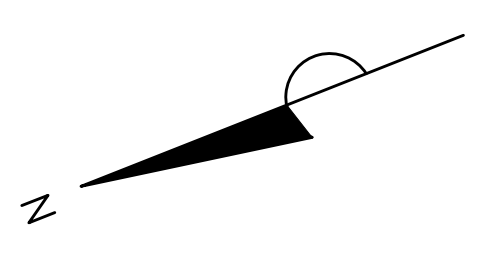
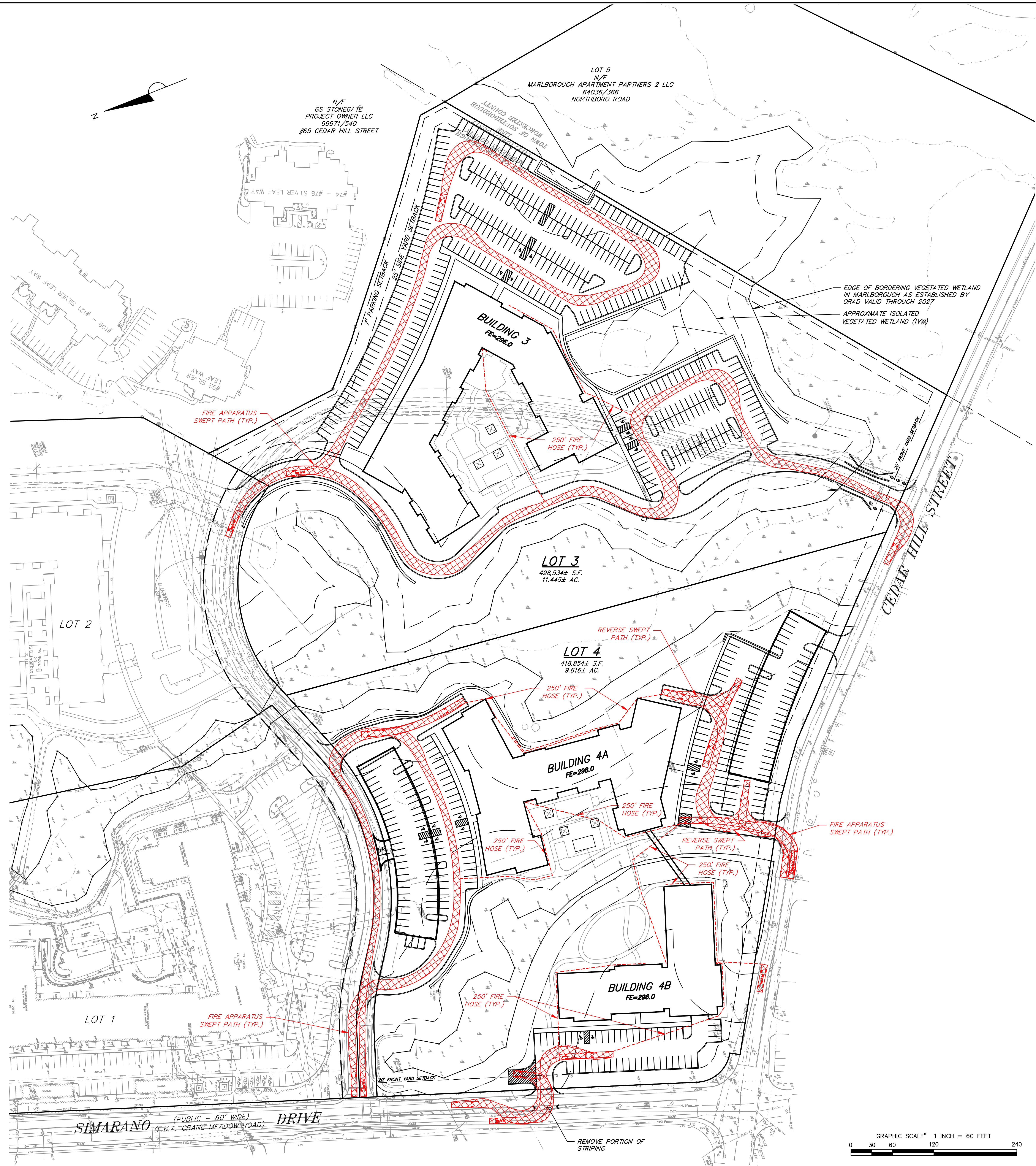
HANCOCK ASSOCIATES
Civil Engineers
Land Surveyors
Wetland Scientists
315 ELM ST., MARLBOROUGH, MA 01752
VOICE (508) 460-1111, FAX (508) 460-1121
WWW.HANCOCKASSOCIATES.COM



NO.	BY	APP.	DATE	ISSUE/REVISION DESCRIPTION
1	JR	JR	8/16/2023	DESIGN BY: JR/DJR
2	JR	JR		DRAWN BY: DJR
3	JR	JR		CHECK BY: KAC

FIRE MANEUVERING EXHIBIT

DWG: 27057-PS3.dwg
LAYOUT: SPA
SHEET: 1 OF 1
PROJECT NO.: **27057**



Pumper Fire Truck
Overall Length 40.000ft
Overall Width 8.167ft
Overall Body Height 7.745ft
Min Body Ground Clearance 0.656ft
Track Width 8.167ft
Lock-to-lock time 5.00s
Max Wheel Angle 45.00°

